

**TAGS HF/UHF 250**

The Datalogic Automation family of RFID tags with their unique design and manufacturing technology provides outstanding Auto ID solutions for demanding industrial environments. These durable passive HF and UHF read/write tags require no batteries and can offer up to 2 KBytes of user-accessible memory. Tag size and shape are studied to suit several industrial application needs. High Temperature models allow reliable data retention in applications where temperatures up to 240°C are involved. In standard temperature applications, a durable ABS plastic encapsulation protects tags from harsh environments. HF/UHF 250 series replaces LRP 250 tags improving mechanical features, such as planarity, edges and surfaces regularity, offering best resistance to mechanical and thermal stress. These tags represent an excellent choice for automotive and electronic industry applications, intra-logistics automated control lines of conveyor systems and manufacturing applications where absolute data reliability is a must.



IDENTIFICATION

**HIGHLIGHTS**

- Rugged tags for harsh environments
- Passive
- Extreme durability and resistance under mechanical and thermal stress conditions
- Worldwide RFID HF Standard ISO15693, ISO14443A
- UHF Class 1, Gen. 2 RFID Standard

**APPLICATIONS**

**Automotive assembling**



Paint shop – oven



## HF TAGS CHARACTERISTICS

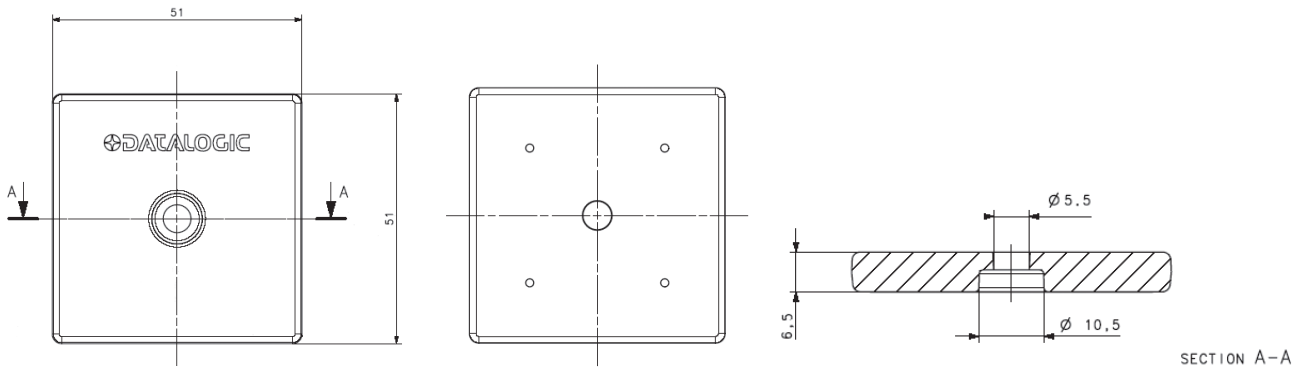
ISO15693 ICs	NXP ICODE SLI		Infineon		Fujitsu	
Products codes	HF-250S	HF-250HTS	HF-250I	HF-250HTI	HF-250F	HF-250HTF
Operating Frequency	13.56 MHz					
Memory size and type	112 Bytes - EEPROM		1 Kbyte - EEPROM		2 Kbyte - FRAM	
Data retention	10 years					
Write endurance	100 000 cycles		100 000 cycles		10 billions cycles	
RF Data Transfer Rate	26 Kbit/s					
Temperature Range	-55° C to +140° C	-55° C to +240° C	-40° C to +125° C	-40° C to +240° C	-40° C to +85° C	-40° C to +240° C
Degree of protection	IP68 (See Note)		IP68 (See Note)		IP68 (See Note)	
Materials	Plastic ABS for standard models and PPS resin for HT models					
Weight	17.8 g	25.7 g	17.8 g	25.7 g	17.8 g	25.7 g
Mechanical dimensions	51x51x6.5mm (± 0.5mm)					

## UHF TAGS CHARACTERISTICS

EPC-C1G2 ICs	NXP UCODE G2XM	
Products codes	UHF-G2-250	UHF-G2-250HT
Operating Frequency	860 – 960 MHz	
Memory size and type	512 Bits - EEPROM	
Data retention	10 years	
Write endurance	10 000 cycles	
RF Data Transfer Rate	40-640 Kbit/s	
Temperature Range	-55° C to +125° C	-55° C to 240° C
Degree of protection	IP68 (See Note)	IP68 (See Note)
Materials	Plastic ABS for standard models and PPS resin for HT models	
Weight	17.8 g	25.7 g
Mechanical dimensions	51x51x6.5mm (± 0.5mm)	

Note: End user is responsible for application testing in their particular environment. IP rating refers only to dust and water intrusion.

## DRAWINGS



MODEL	DESCRIPTION	ORDER N°
HF-250F	TAG HF ISO15693 2KByte ABS	970338027
HF-250I	TAG HF ISO15693 1KByte ABS	970338028
HF-250S	TAG HF ISO15693 112Byte ABS	970338029
HF-250HTS	TAG HF HT ISO15693 112Byte PPS	970339011
HF-250HTF	TAG HF HT ISO15693 2KByte PPS	970339013
HF-250HTI	TAG HF HT ISO15693 1KByte PPS	970339014
UHF-G2-250	TAG UHF EPC-C1G2 512bit ABS	970664000
UHF-G2-250HT	TAG UHF HT EPC-C1G2 512bit PPS	970667003
MOUNTING KIT	MOUNTING KIT FOR 10 HF-250XXX TAGS	970103008



Product and Company names and logos referenced may be either trademarks or registered trademarks of their respective companies. The company endeavours to continuously improve and renew its products; for this reason the technical data and contents of this catalogue may undergo variations without prior notice. For correct installation and use, the company can guarantee only the data indicated in the instruction manual supplied with the products.

Rev. 00, 07/2010

